

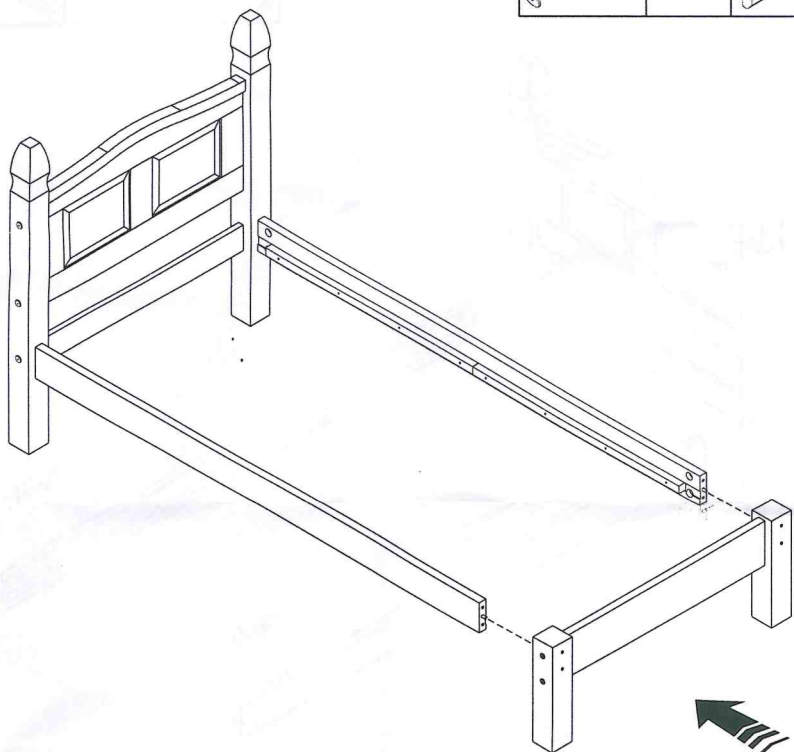
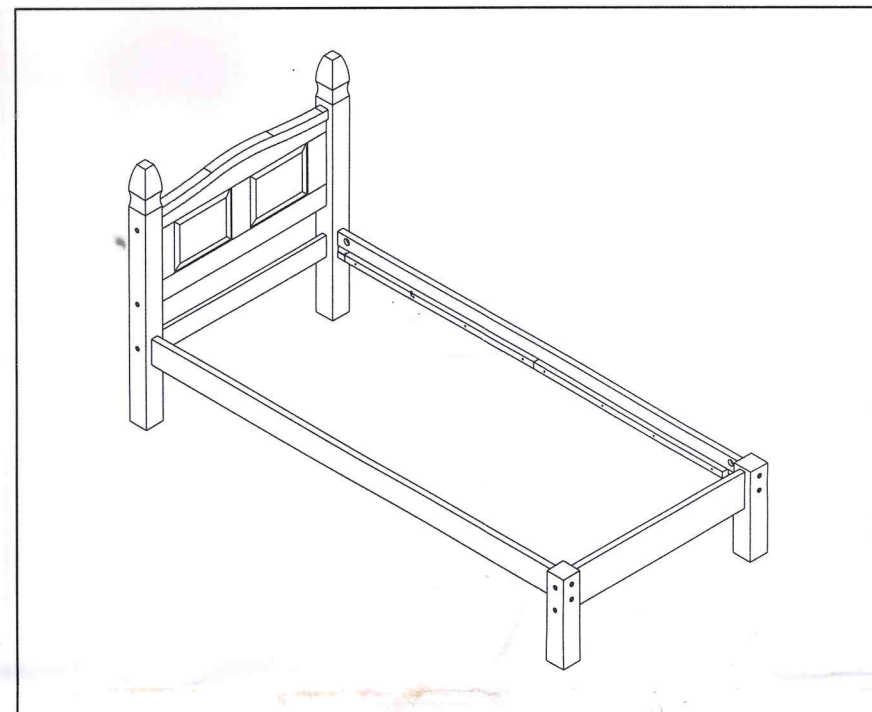
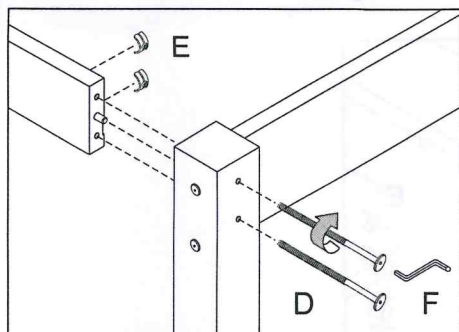


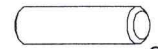
6


Dx4	Ex4	Fx1
		




2x

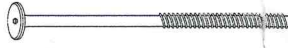



A x 6		Ø8x30mm
-------	---	---------



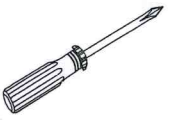

D x 12		Ø6,5x130mm
--------	---	------------

B x 6		Ø10x40mm
-------	--	----------

E x 12		
--------	--	--

C x 6		Ø7,0x130mm
-------	---	------------

F x 1		
-------	---	--

			
20 min			



Ref.: 577