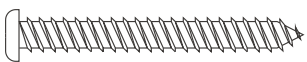
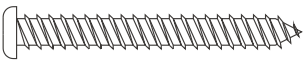
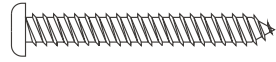

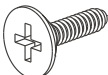

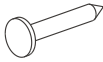
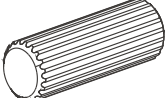

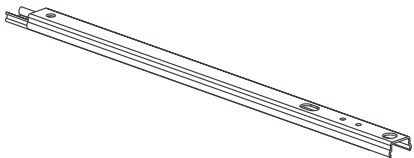
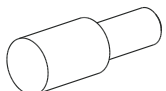
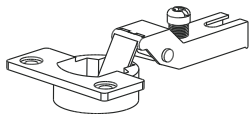
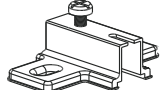
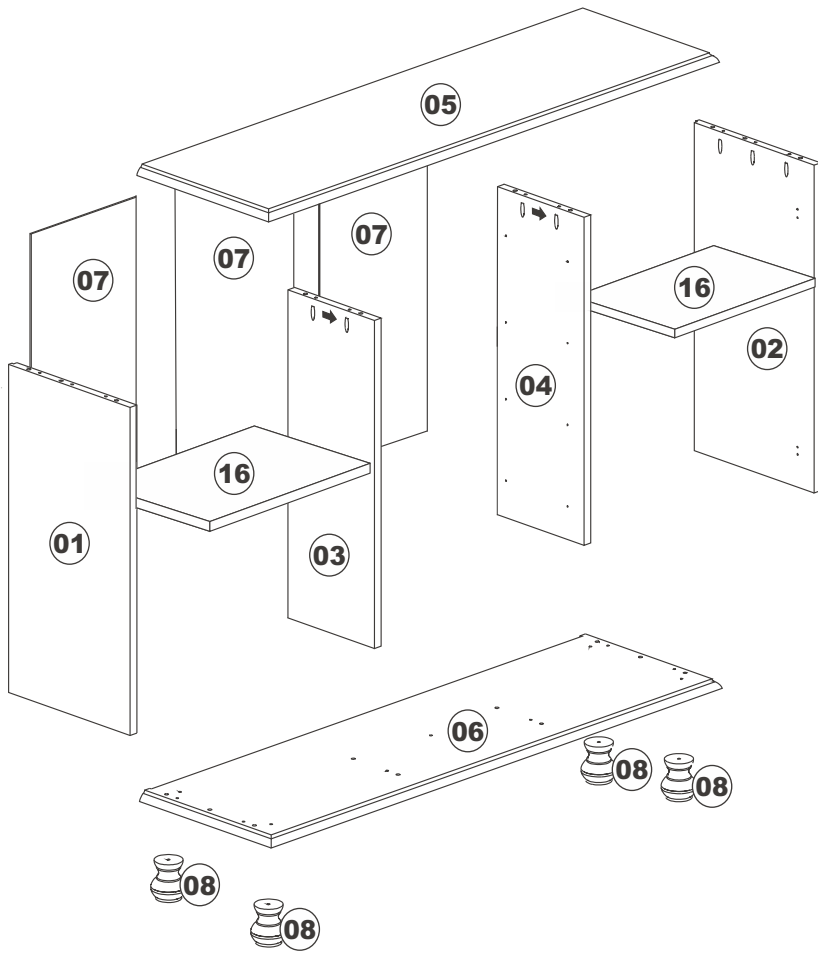
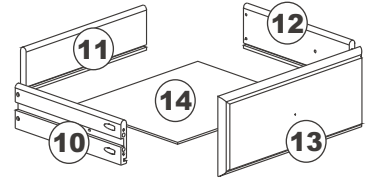


A	 4,5x50	04
B	 4,5x40	12
C	 4,0x30	58
D	 3,0x16	16
E	 4,0x12	08
F	 6,0x10	16
G	 10x10	45

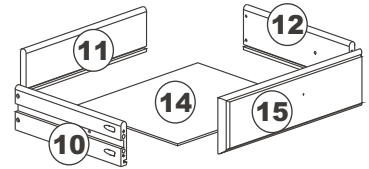
H	 8,0x30	40
I		06
J		08
K		08
L		04
M		04



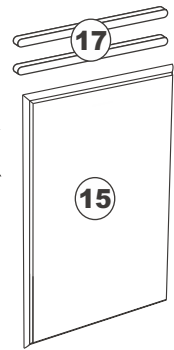
=3x



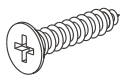
=1x

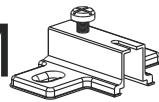


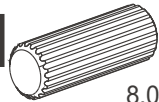
=2x

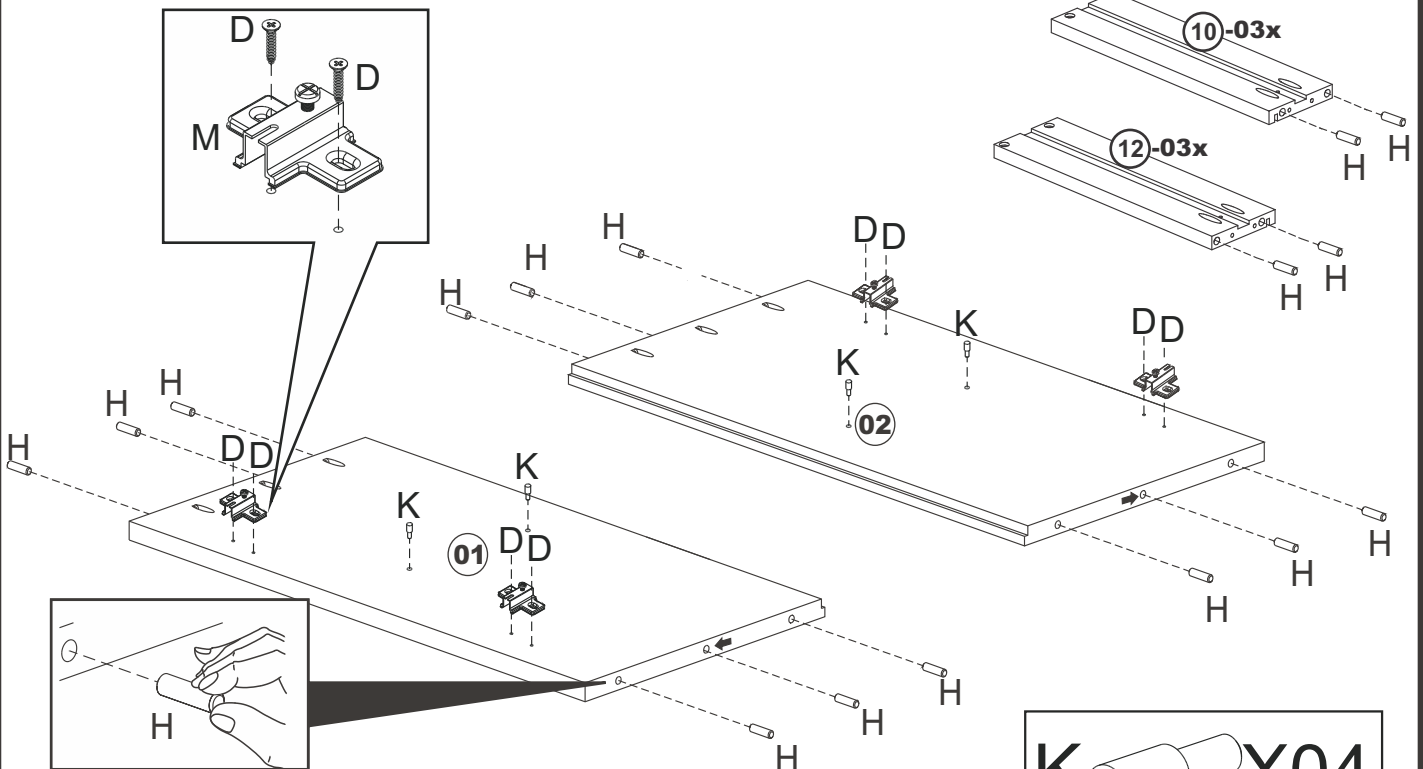


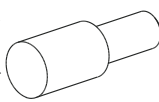
01

D  **X08**
3,0x16

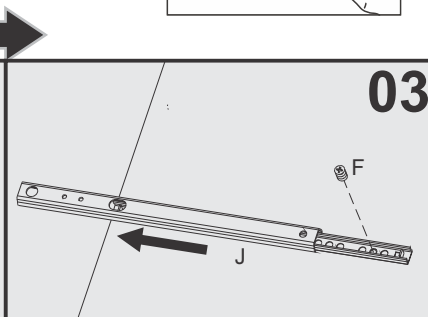
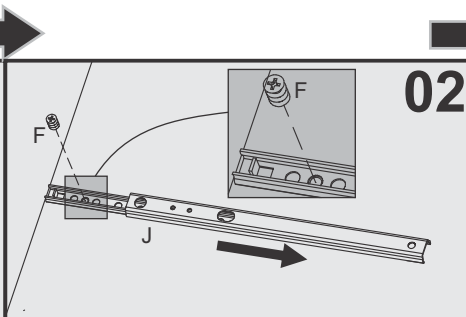
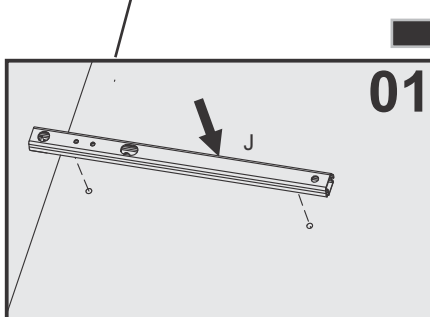
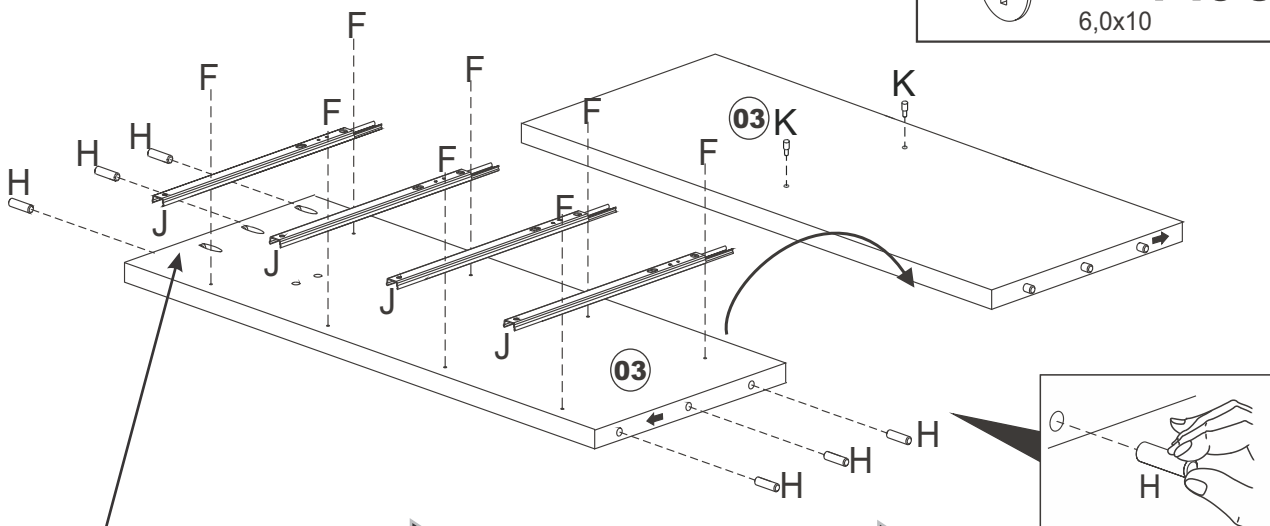
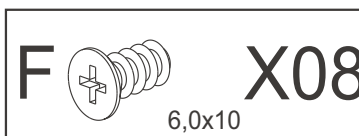
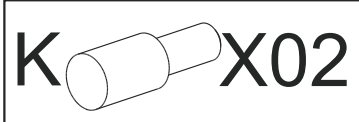
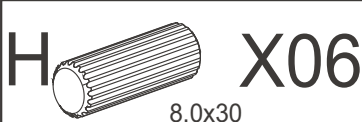
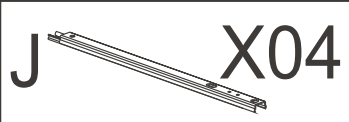
M  **X04**

H  **X24**
8,0x30

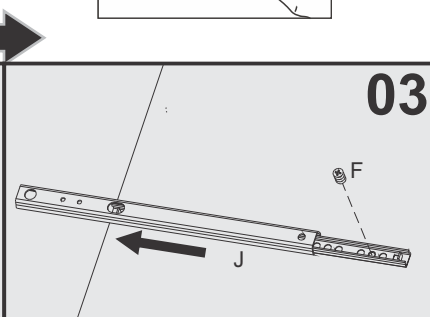
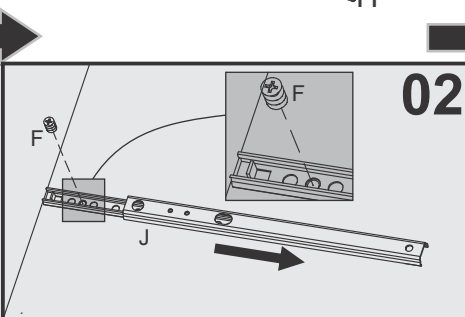
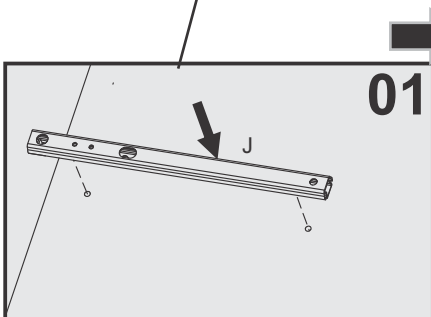
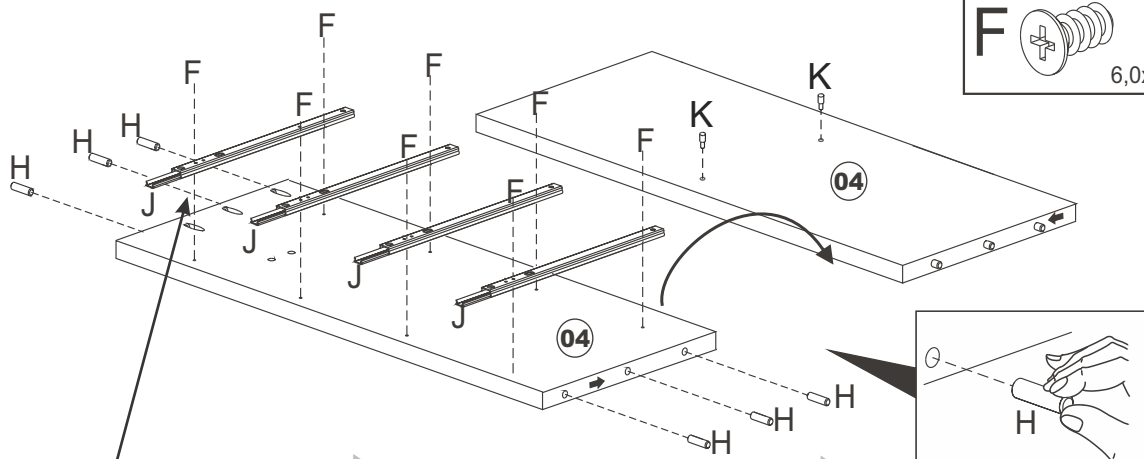
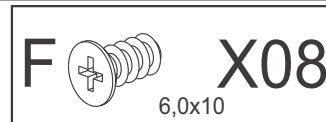
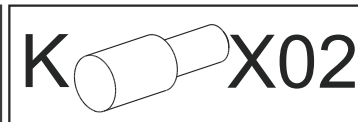
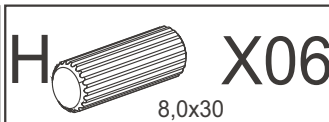
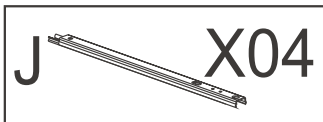


K  **X04**

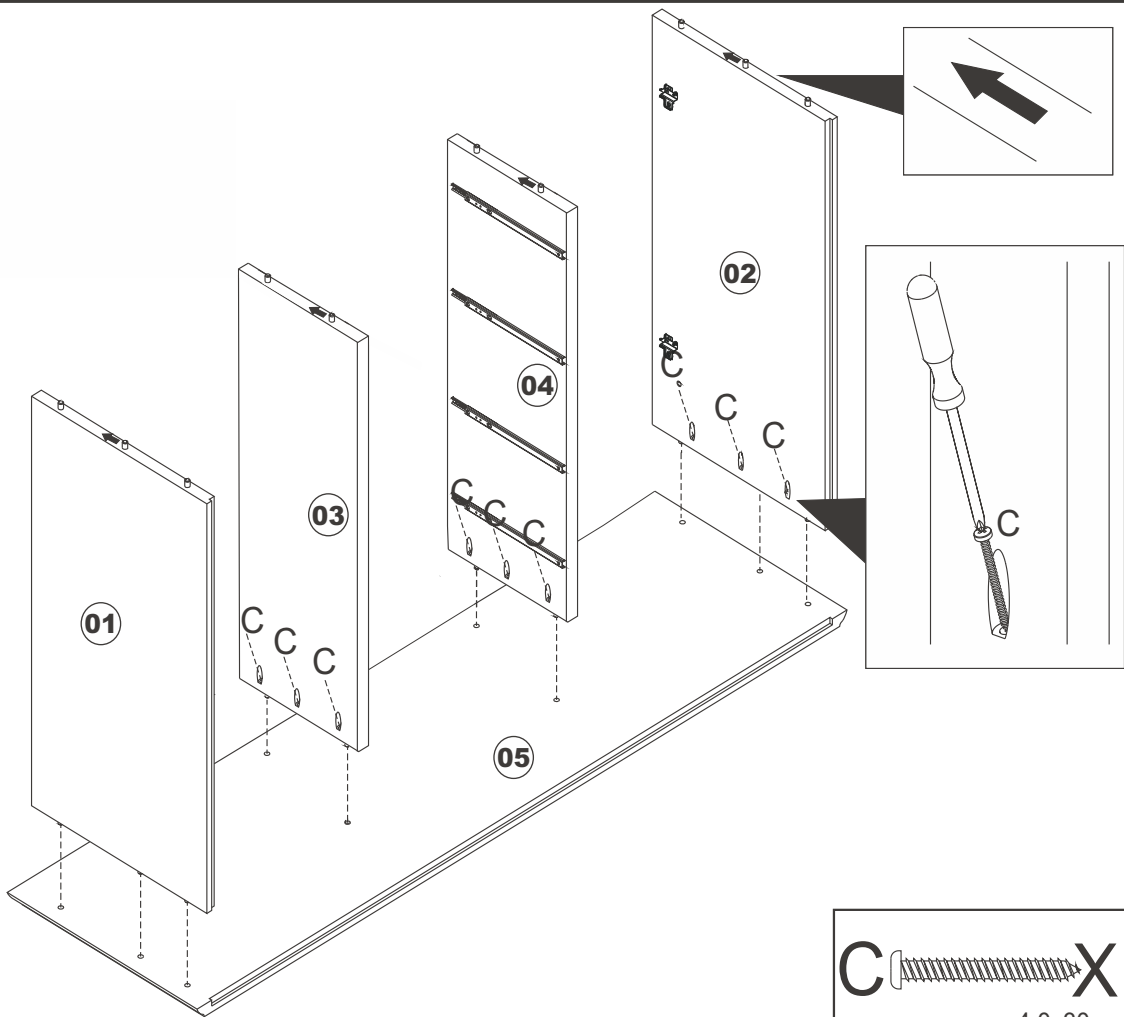
02



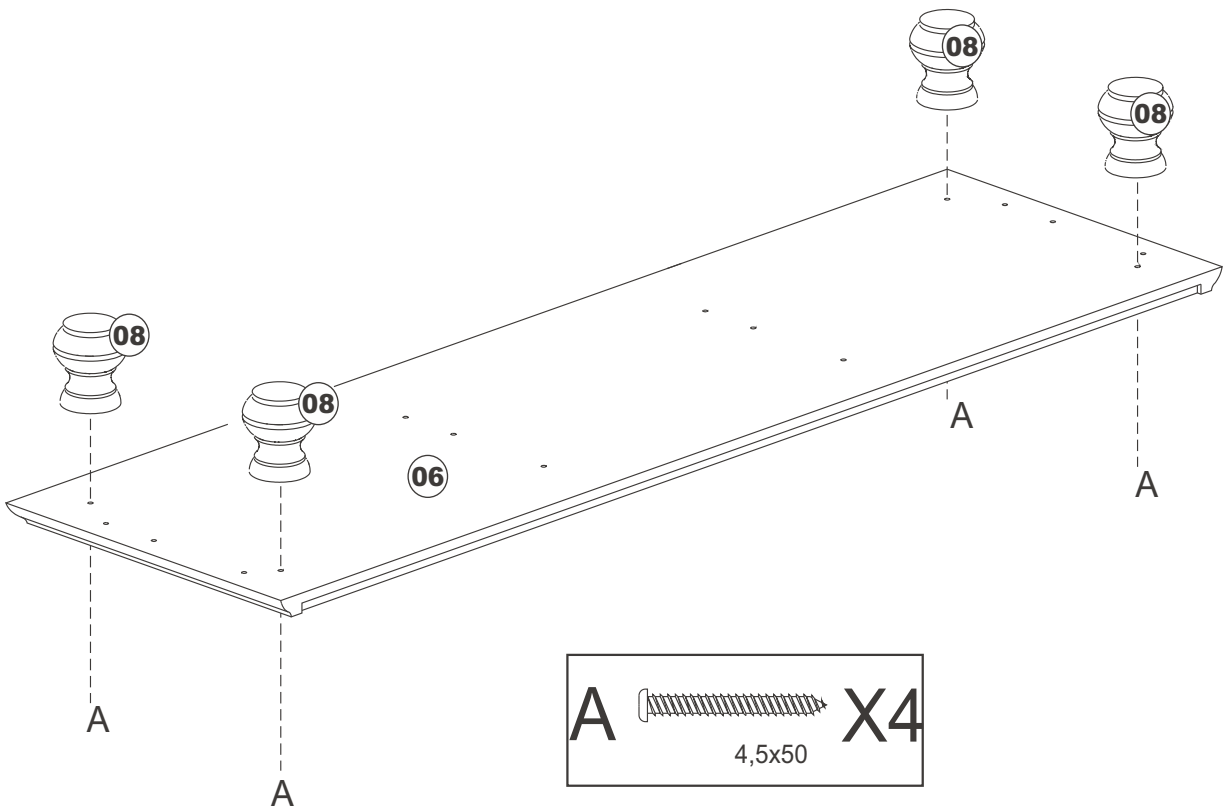
03



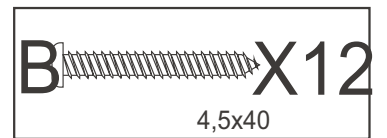
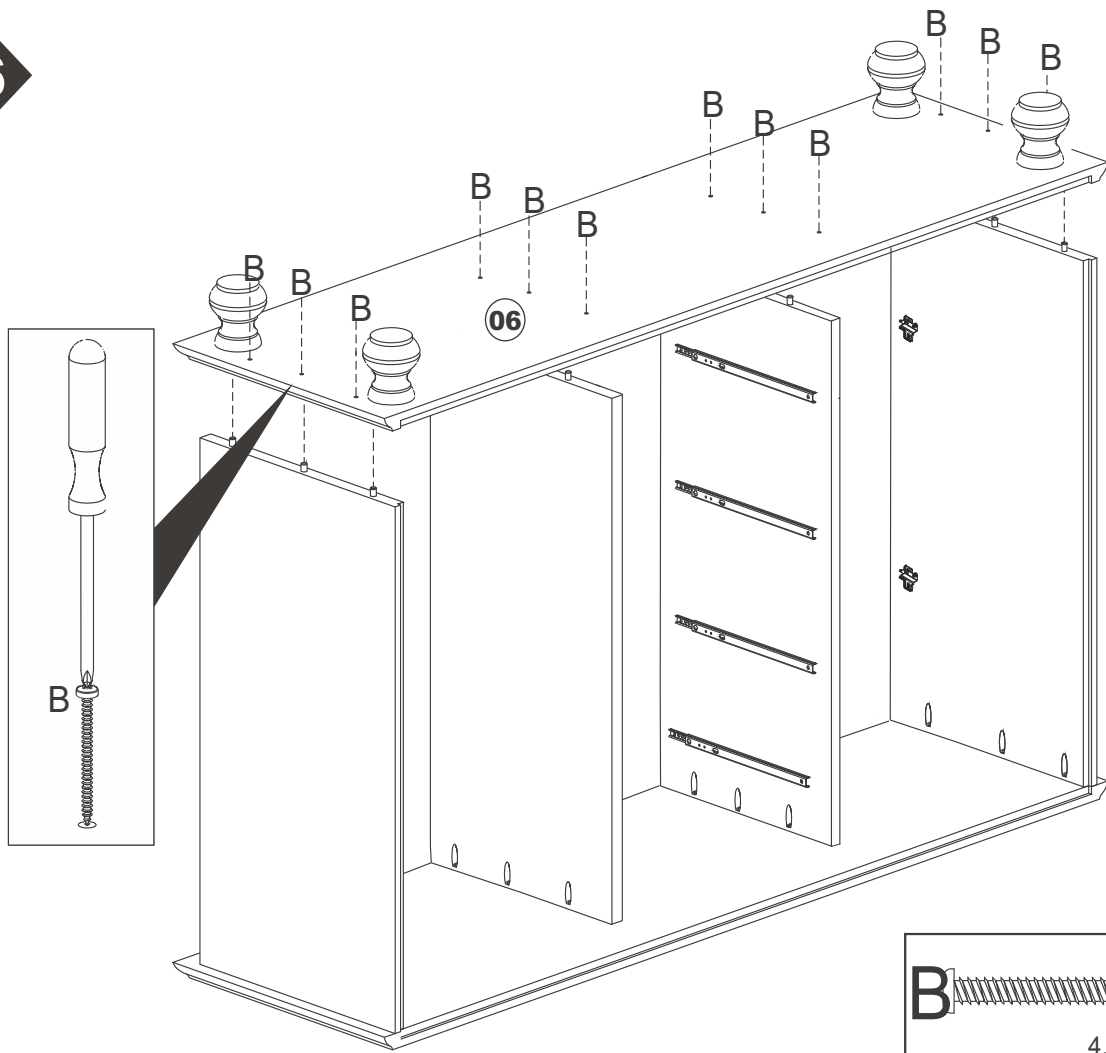
04



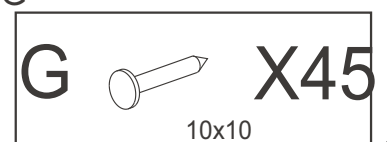
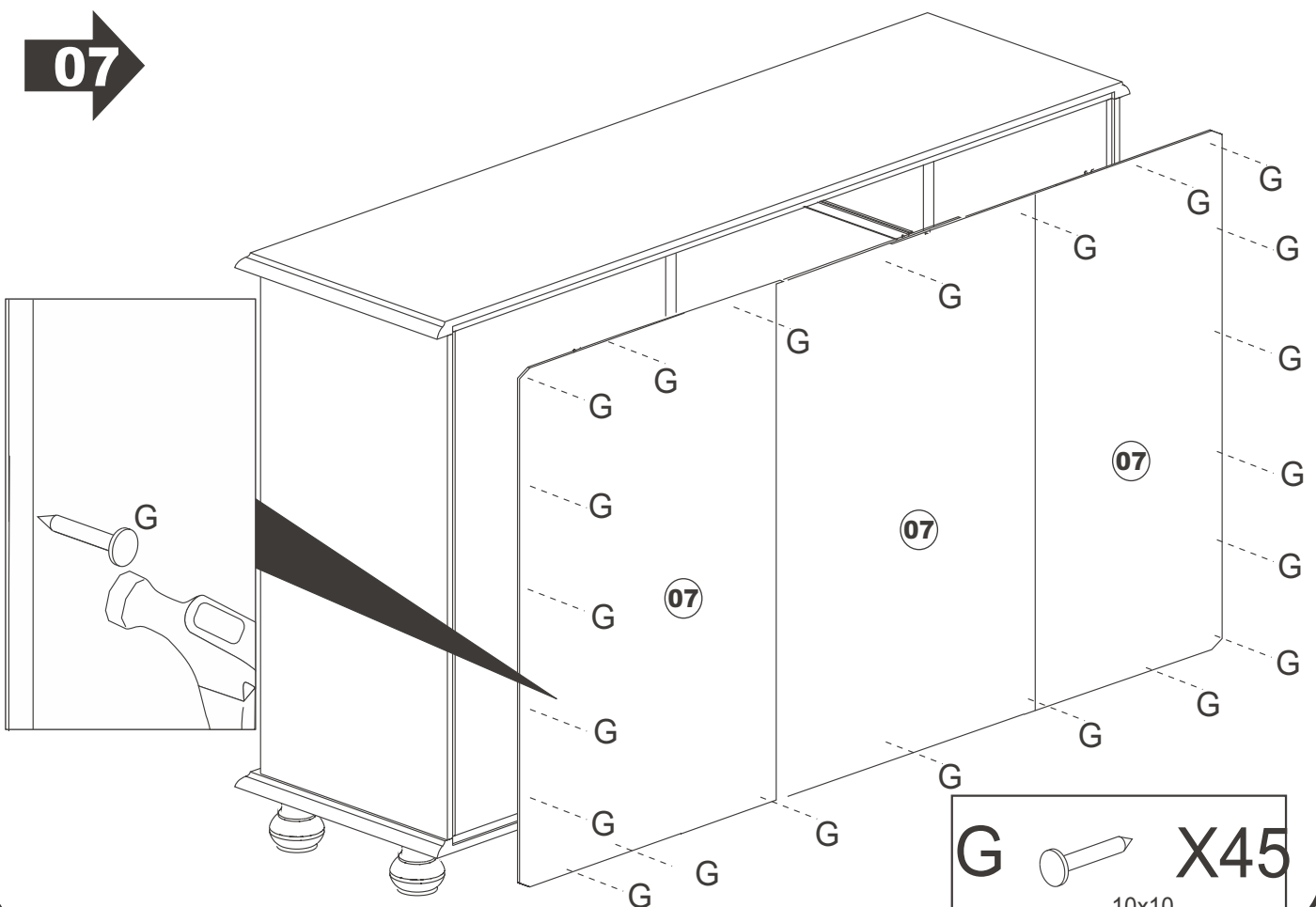
05



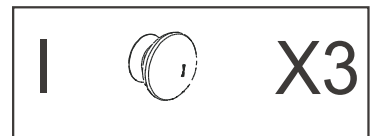
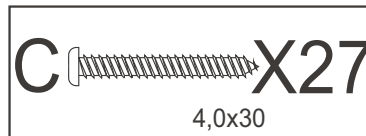
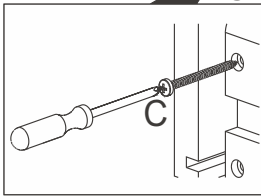
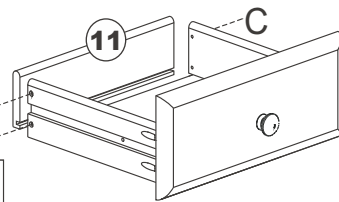
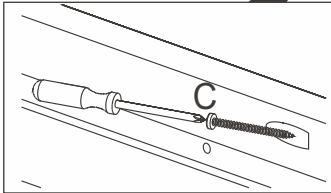
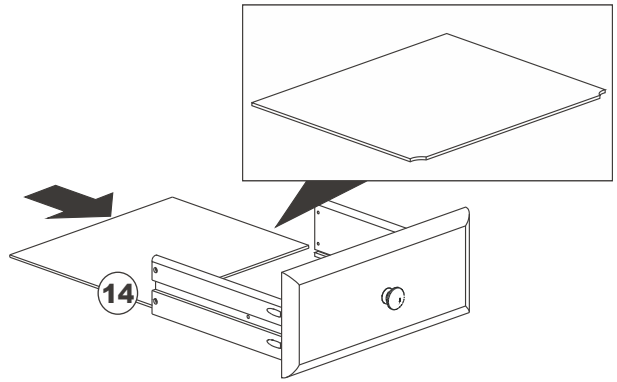
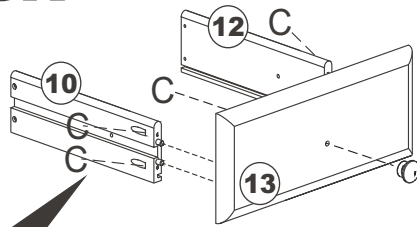
06



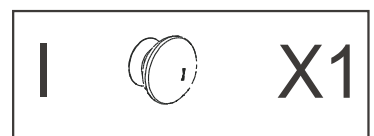
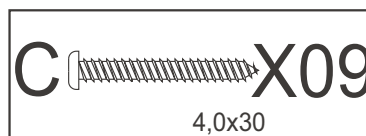
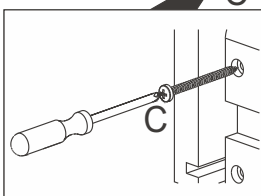
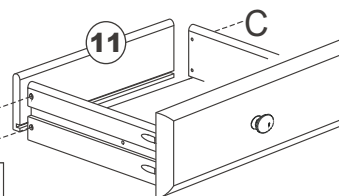
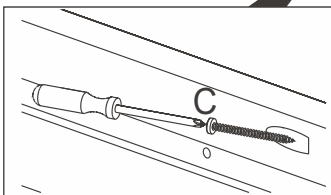
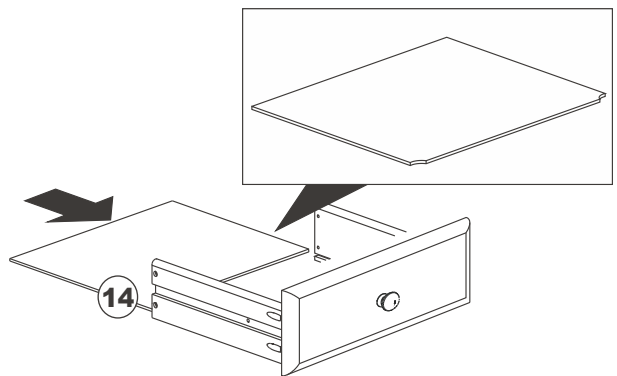
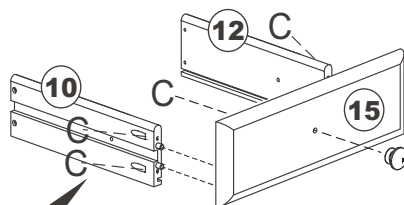
07



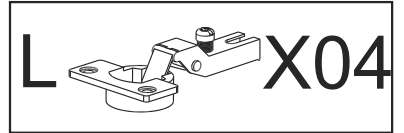
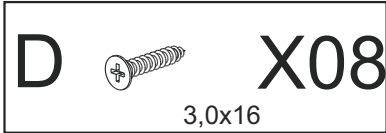
08 → **=3x**



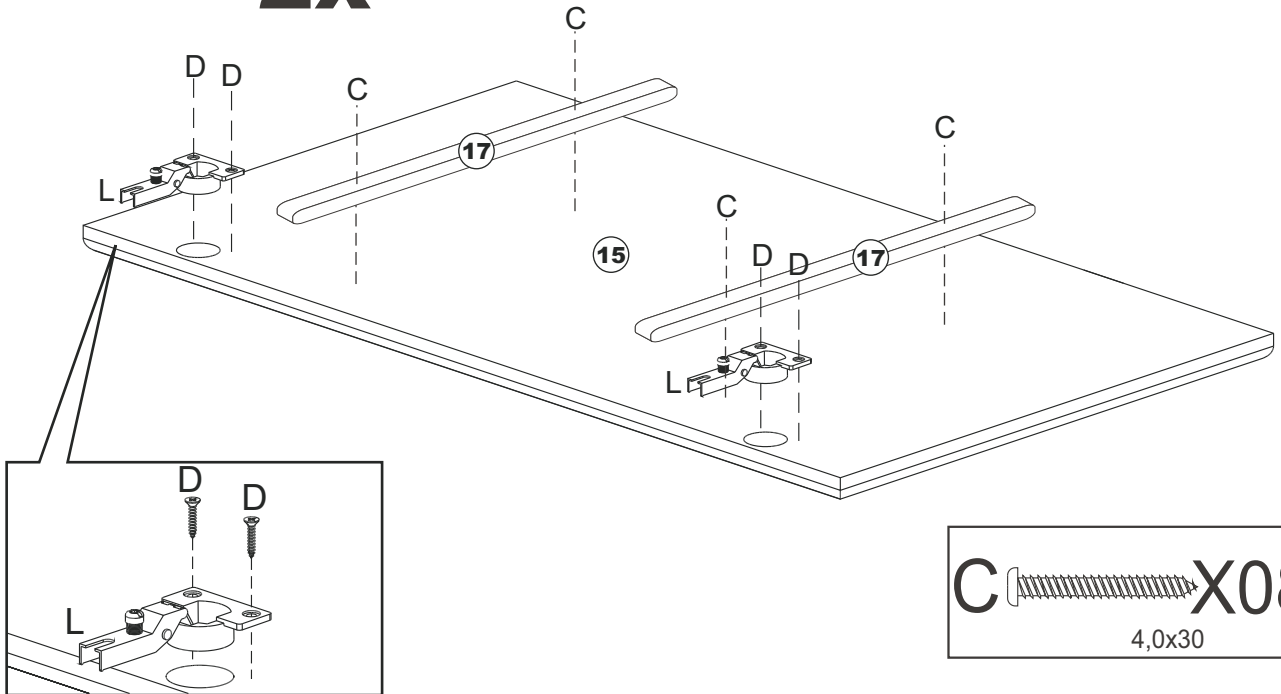
09 → **=1x**



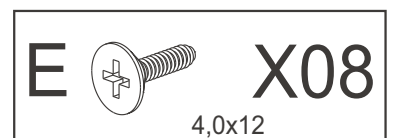
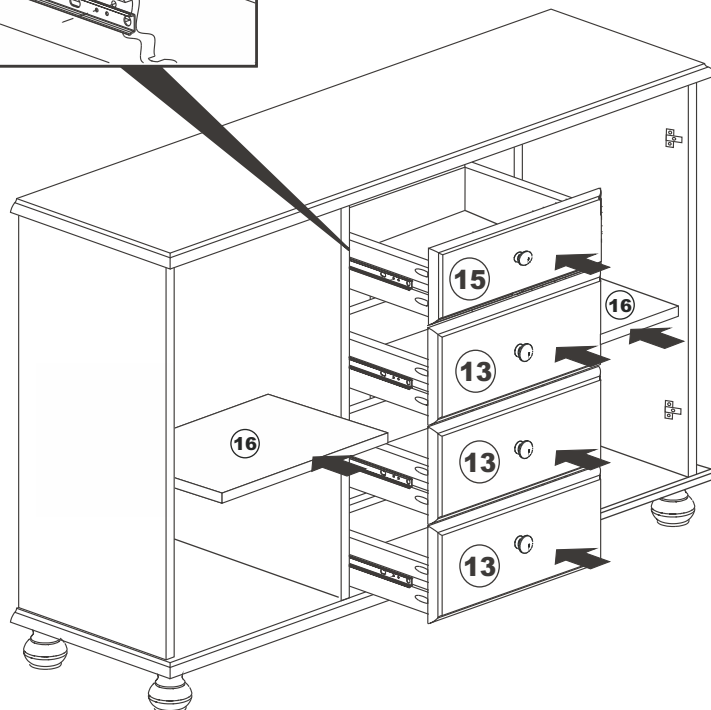
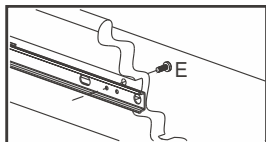
10



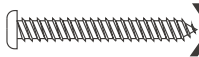
=2x

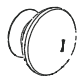


11



12

C  X02
4,0x30

I  X2

