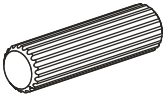
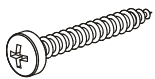
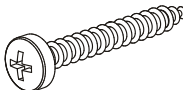
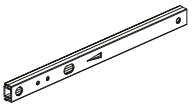


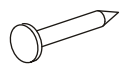


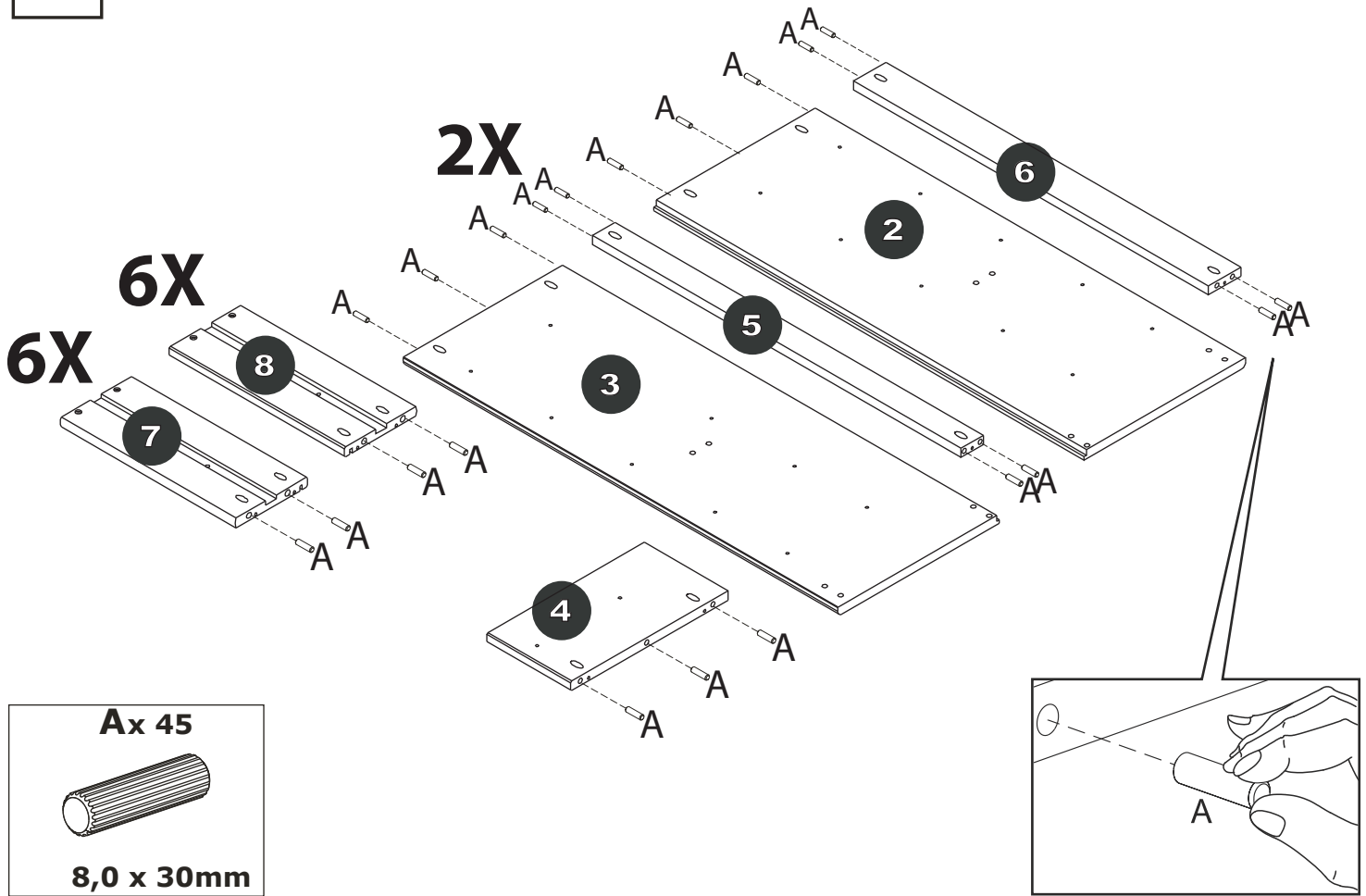
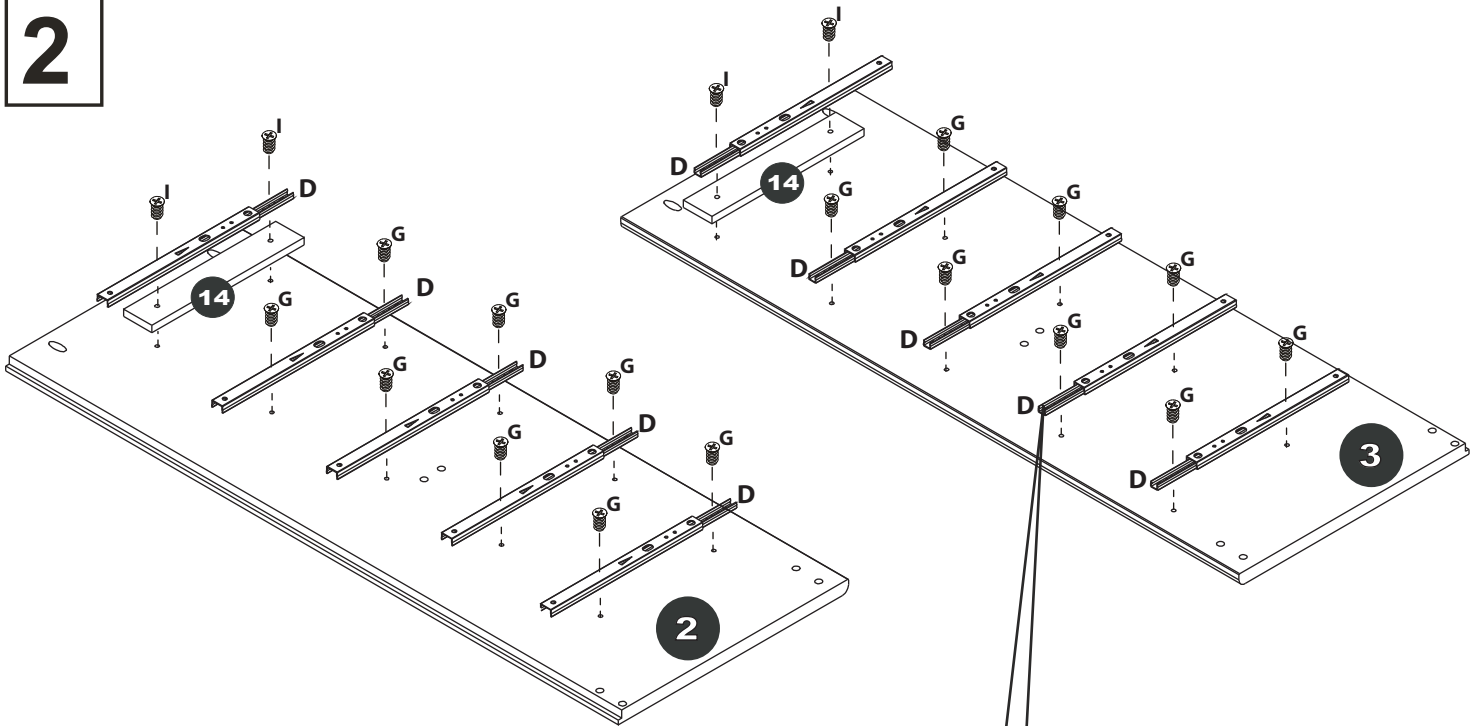


A x 45  8,0 x 30mm	Bx 60  3,5 x 30mm	Cx 10  4,0 x 40mm	D x 12  Ix 04  6,0 x 20mm	E x 10 
F x 20 	Gx 20  6,0 x 10mm	Hx 12  M4 x 10mm		

1



2



Gx 16



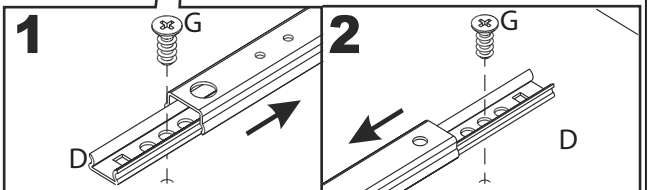
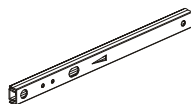
6,0 x 10mm

Ix 04

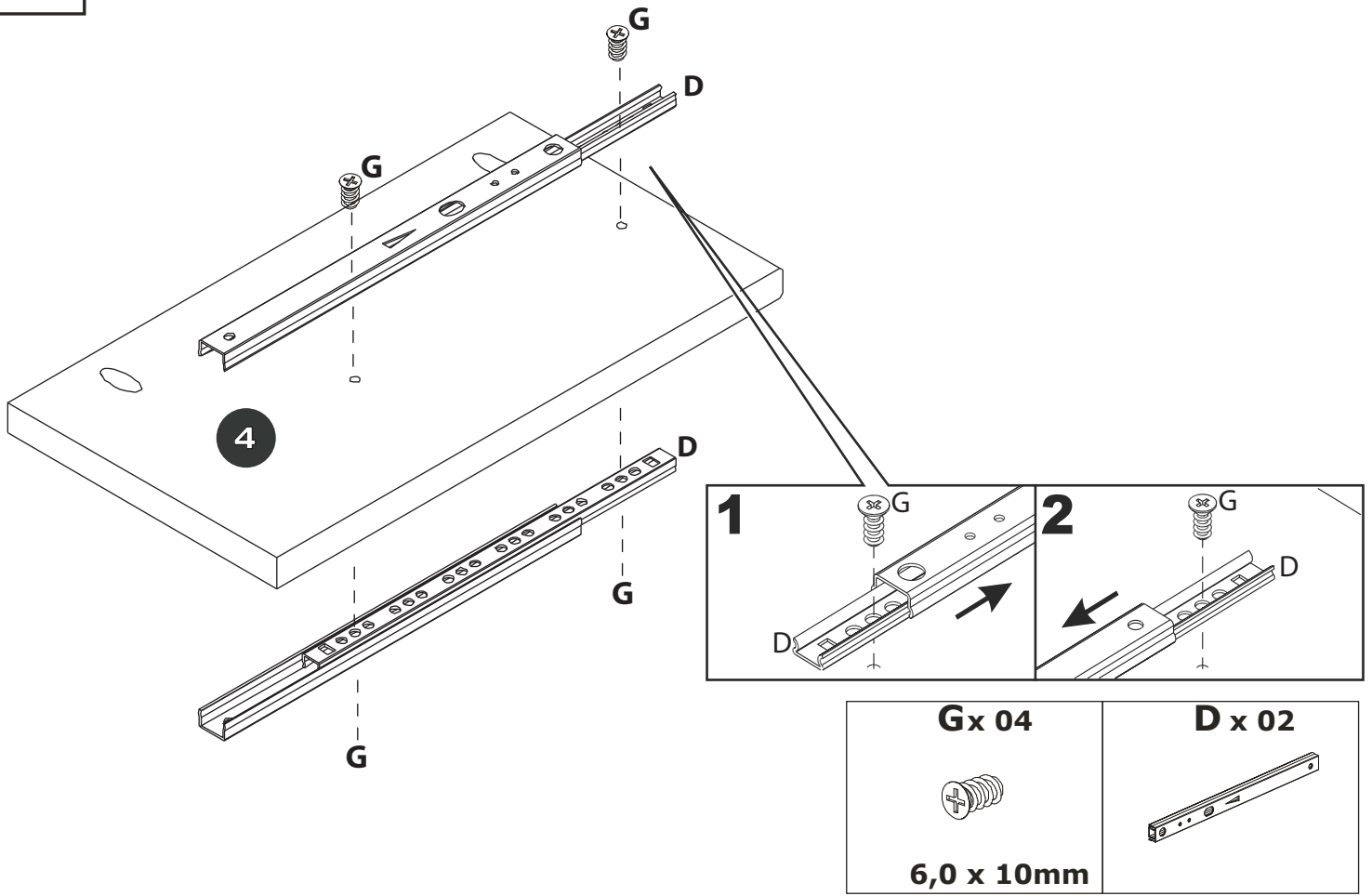


6,0 x 20mm

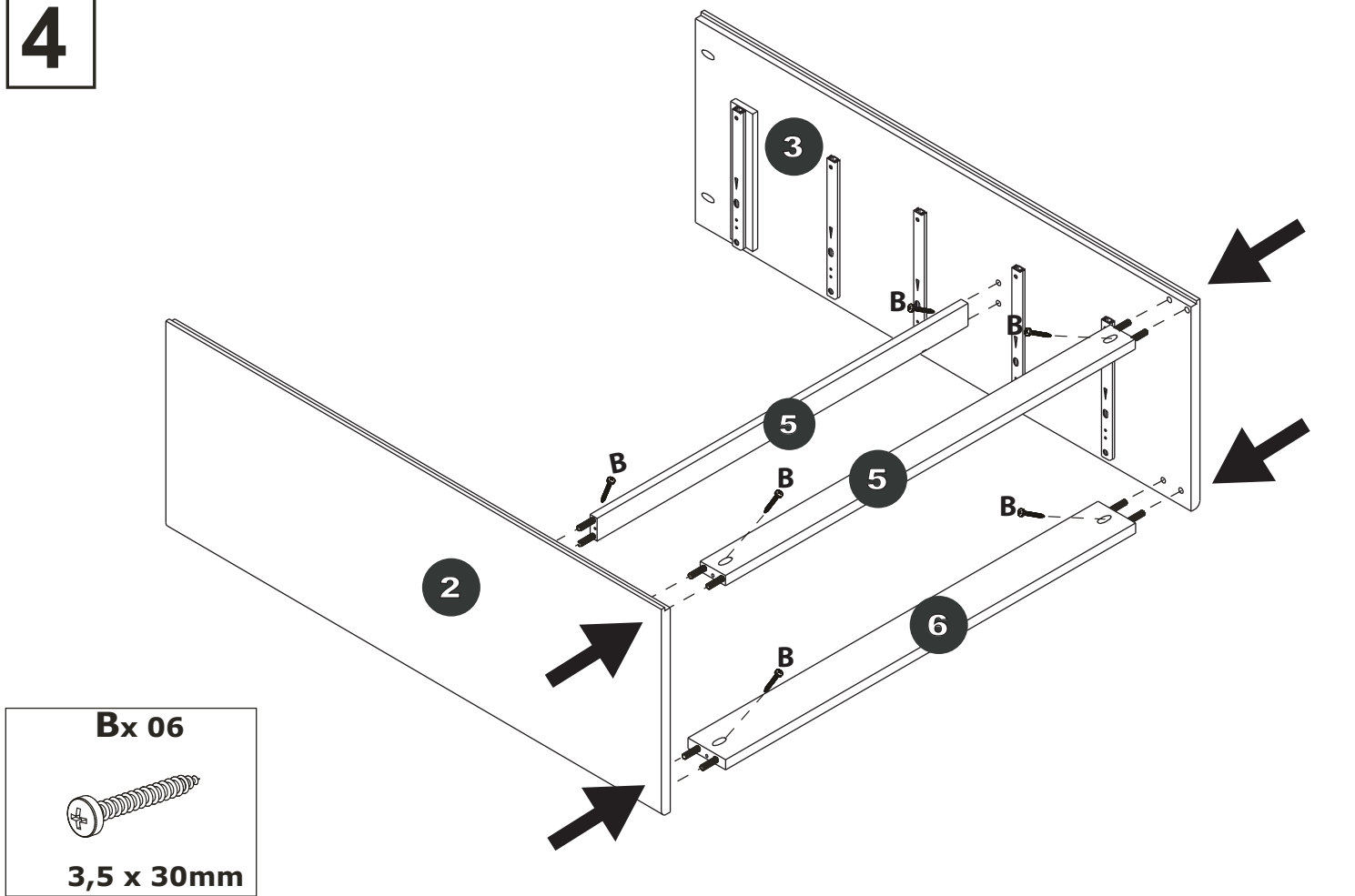
Dx 10



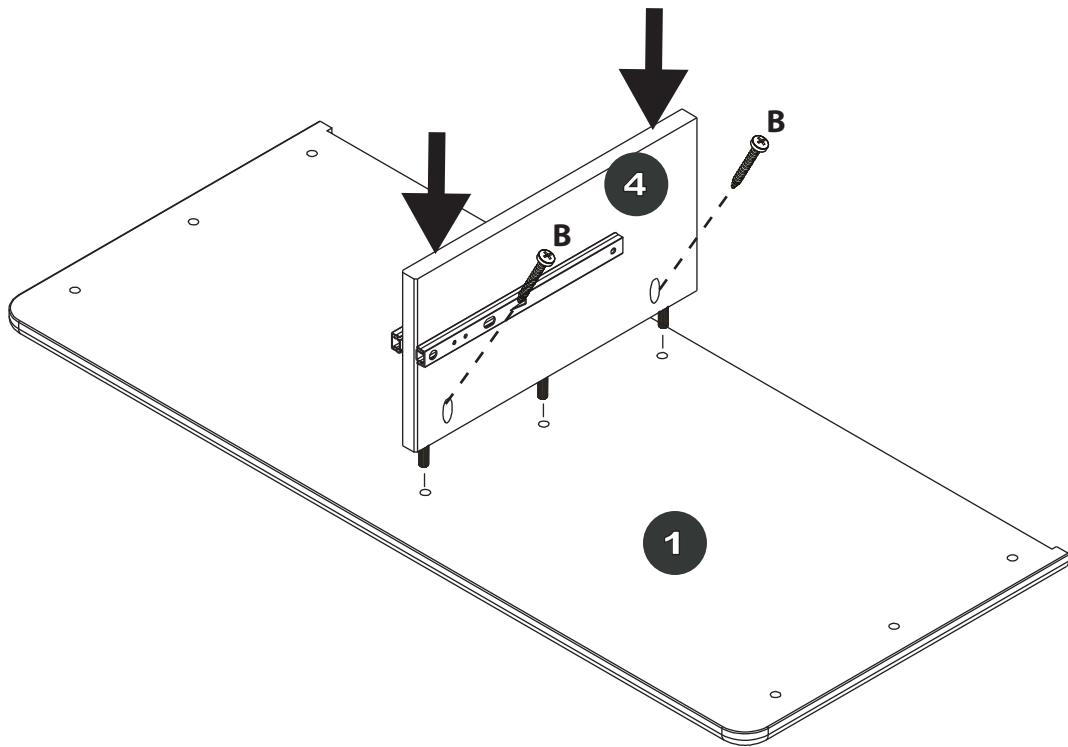
3



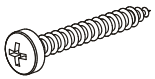
4



5

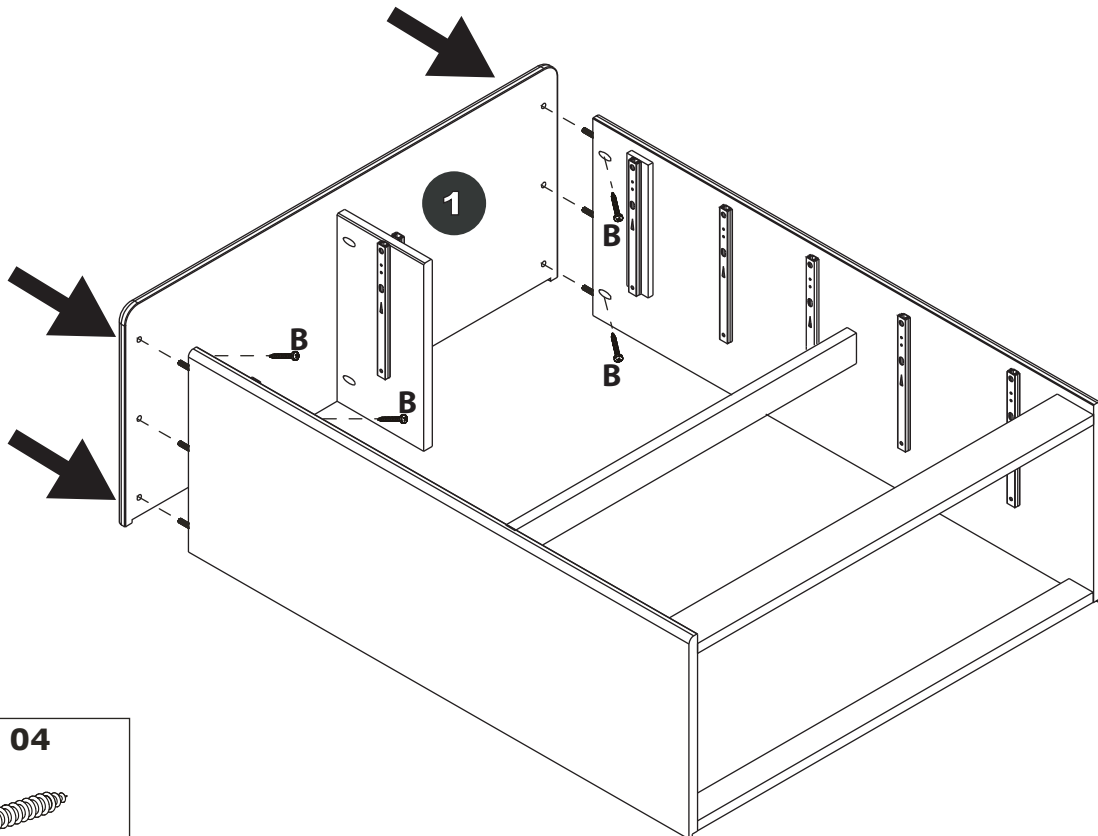


Bx 02

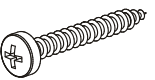


3,5 x 30mm

6

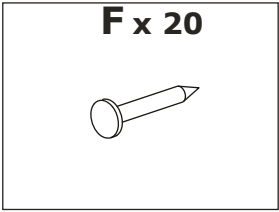
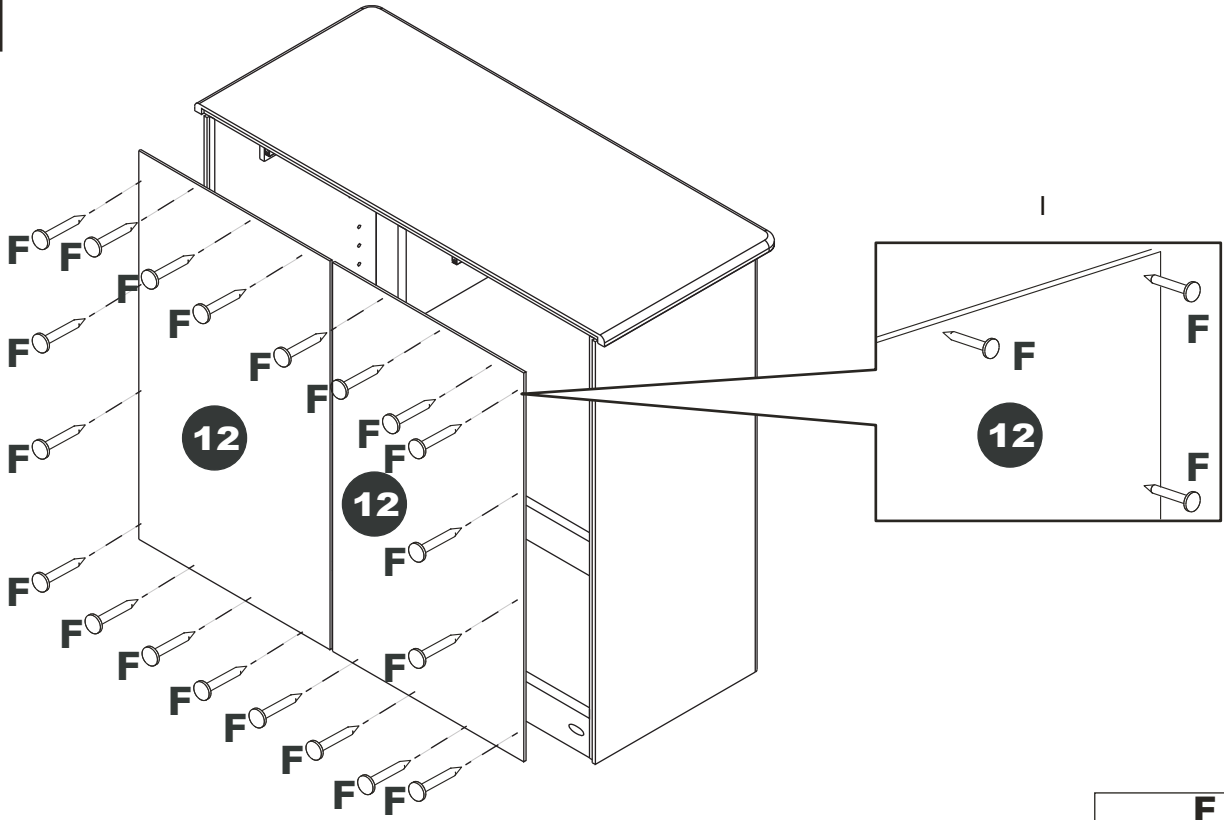


Bx 04

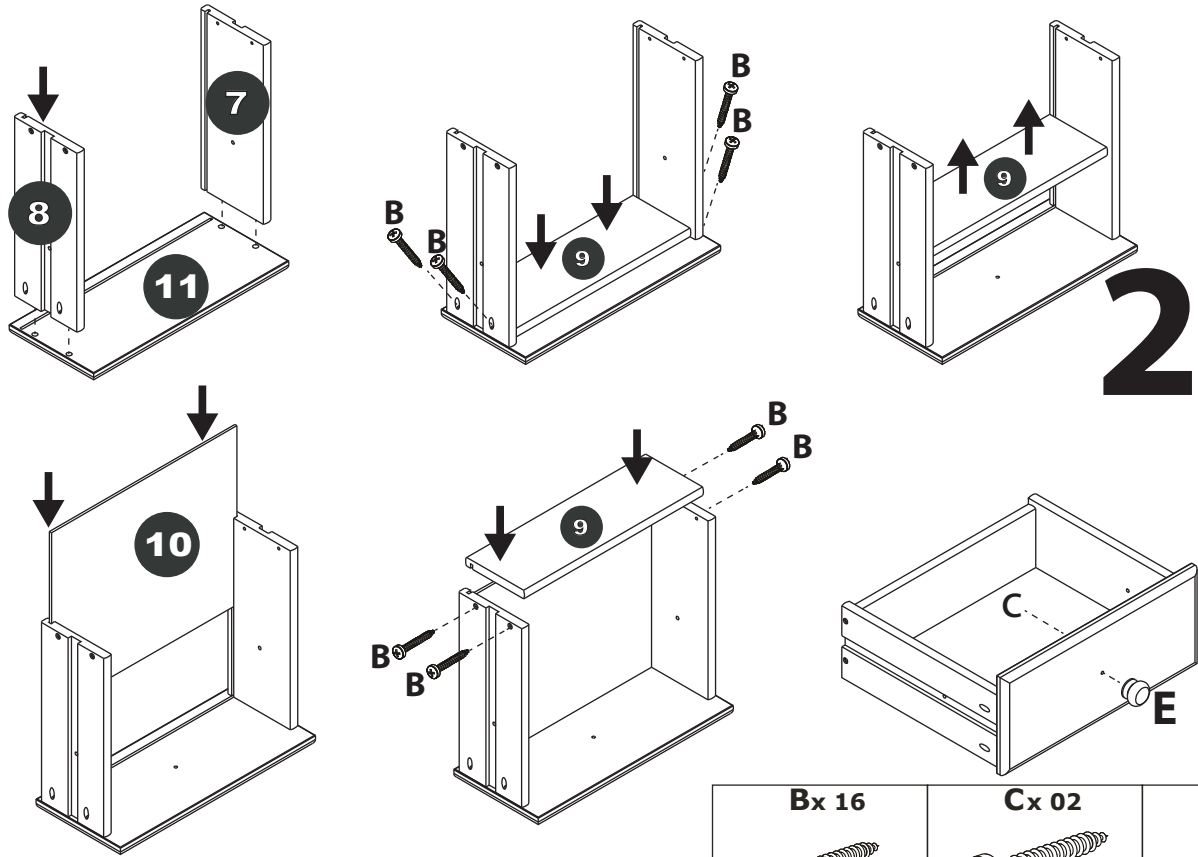


3,5 x 30mm

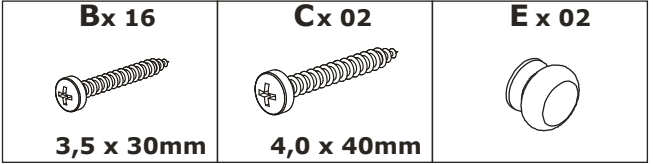
7



8

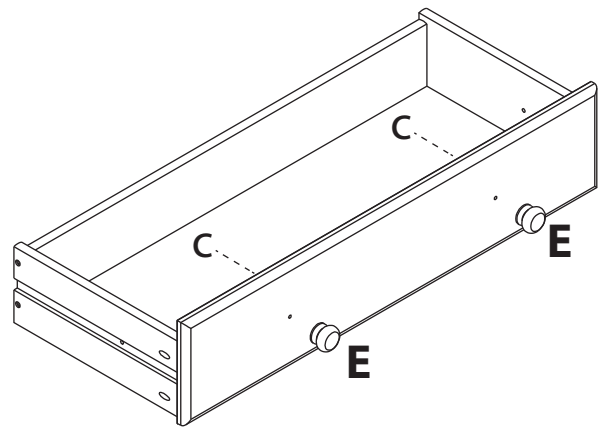
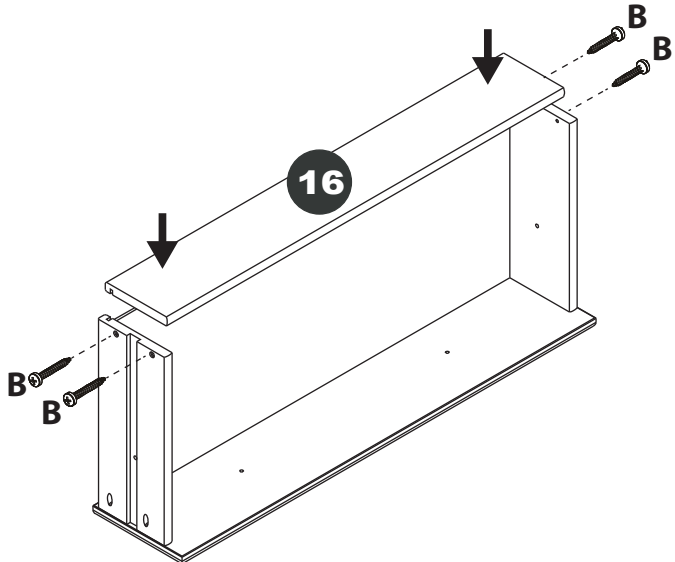
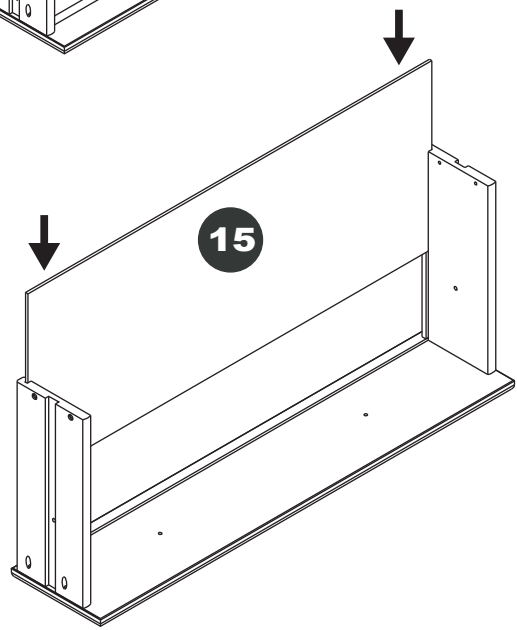
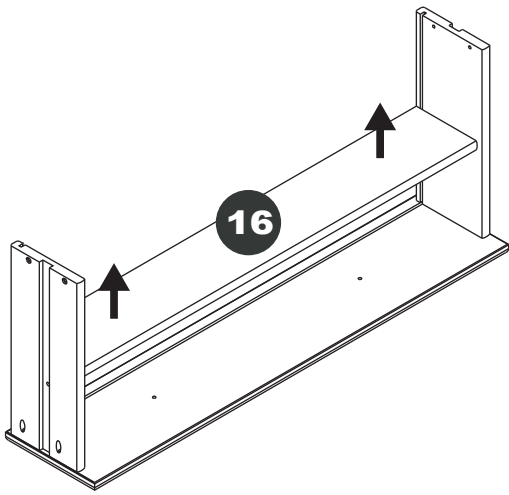
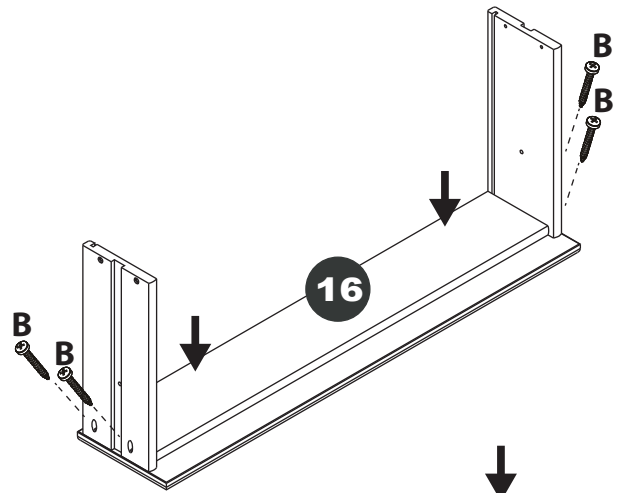
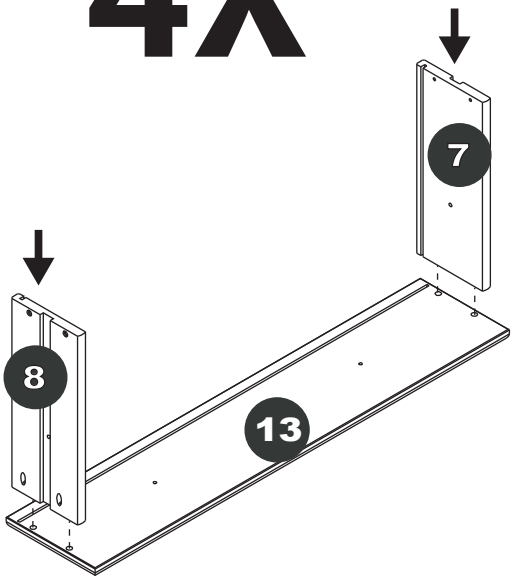


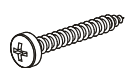
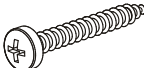

2X



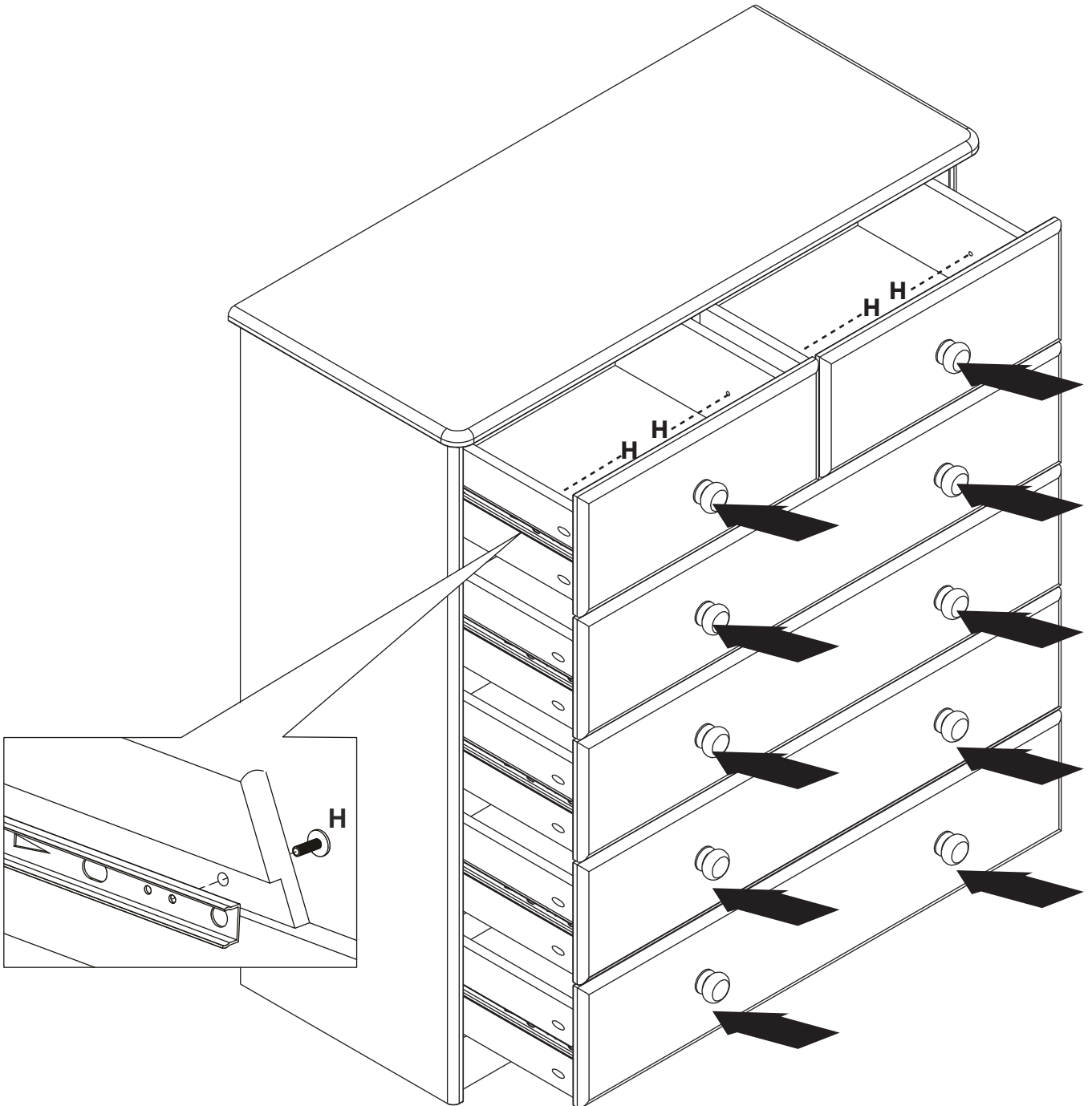
9

4X




Bx 32	Cx 08	E x 08
		
3,5 x 30mm	4,0 x 40mm	

10



Hx 12



M4 x 10mm