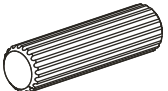
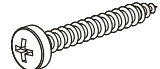
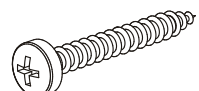
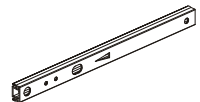

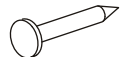

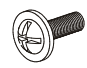
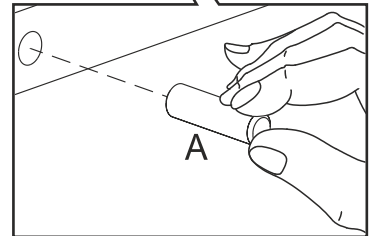
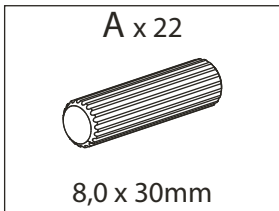
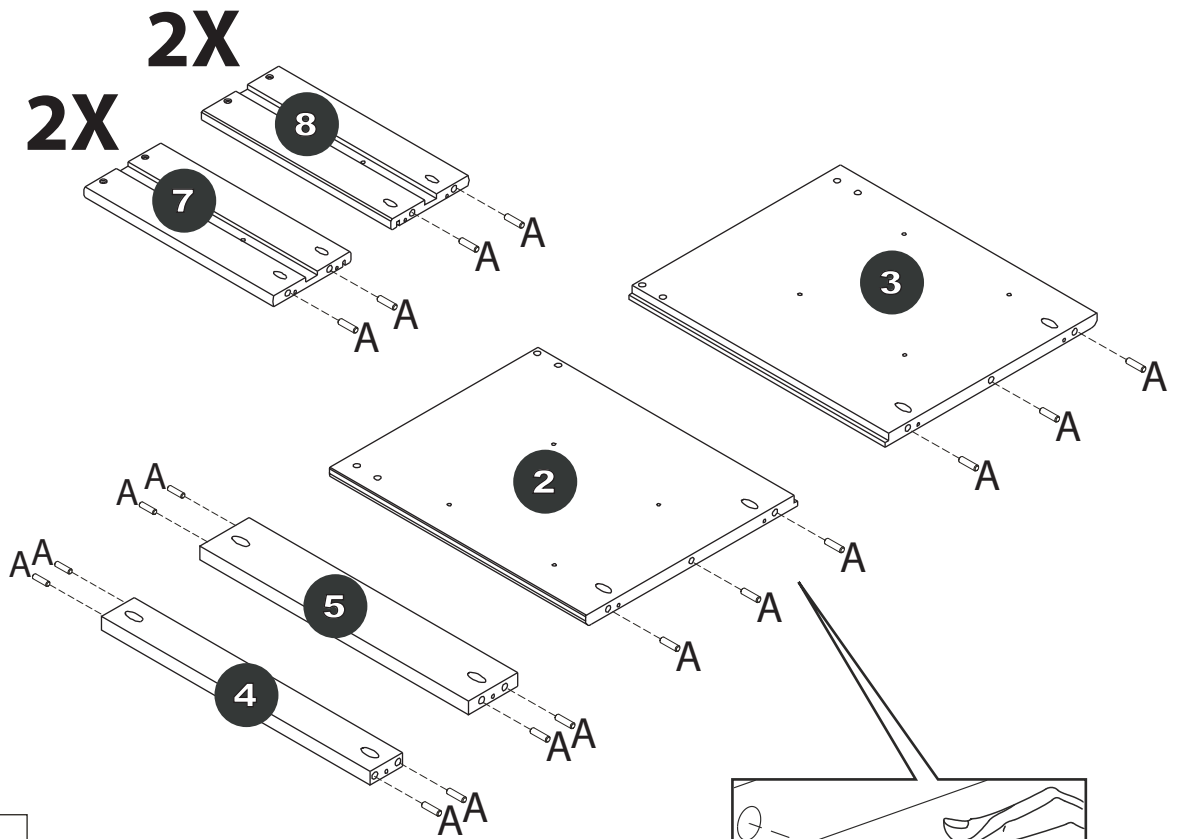


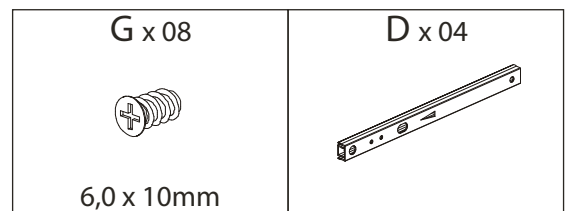
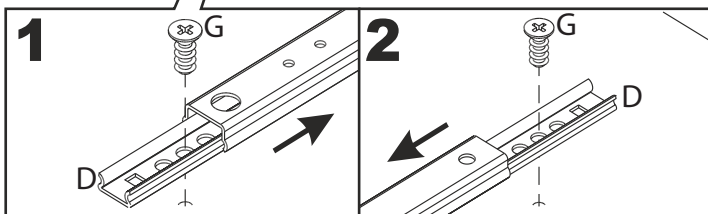
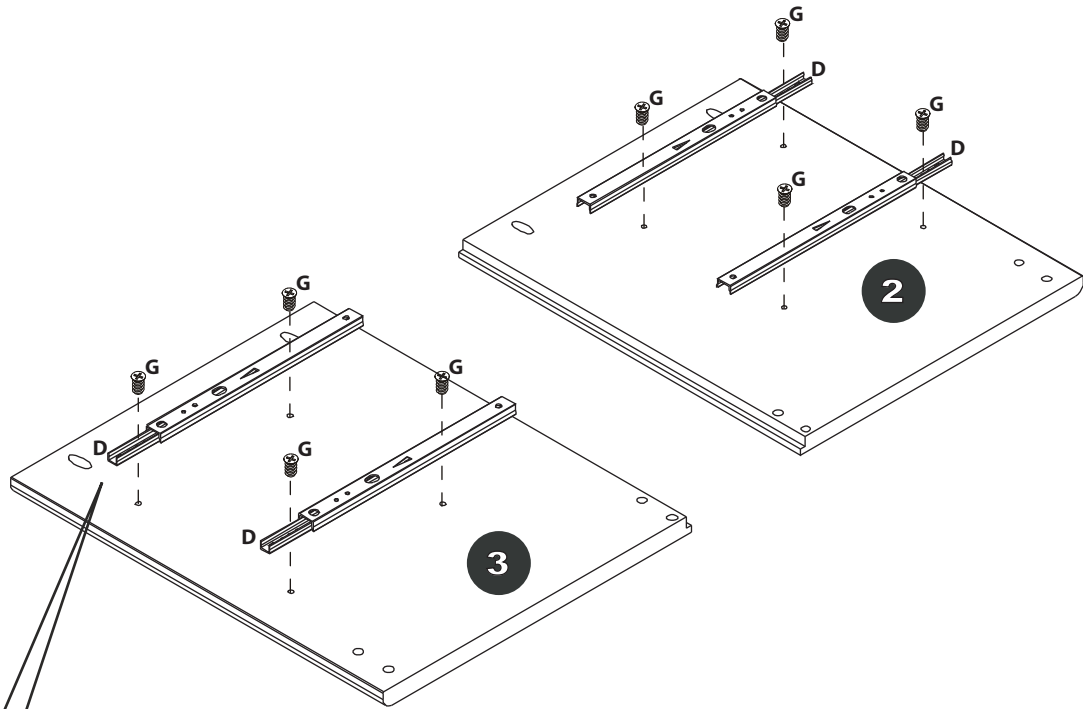
2X

<p>A x 22</p>  <p>8,0 x 30mm</p>	<p>B x 24</p>  <p>3,5 x 30mm</p>	<p>C x 02</p>  <p>4,0 x 40mm</p>	<p>D x 04</p> 	<p>E x 02</p> 
<p>F x 14</p> 	<p>G x 08</p>  <p>6,0 x 10mm</p>	<p>H x 04</p>  <p>M4 x 10mm</p>		

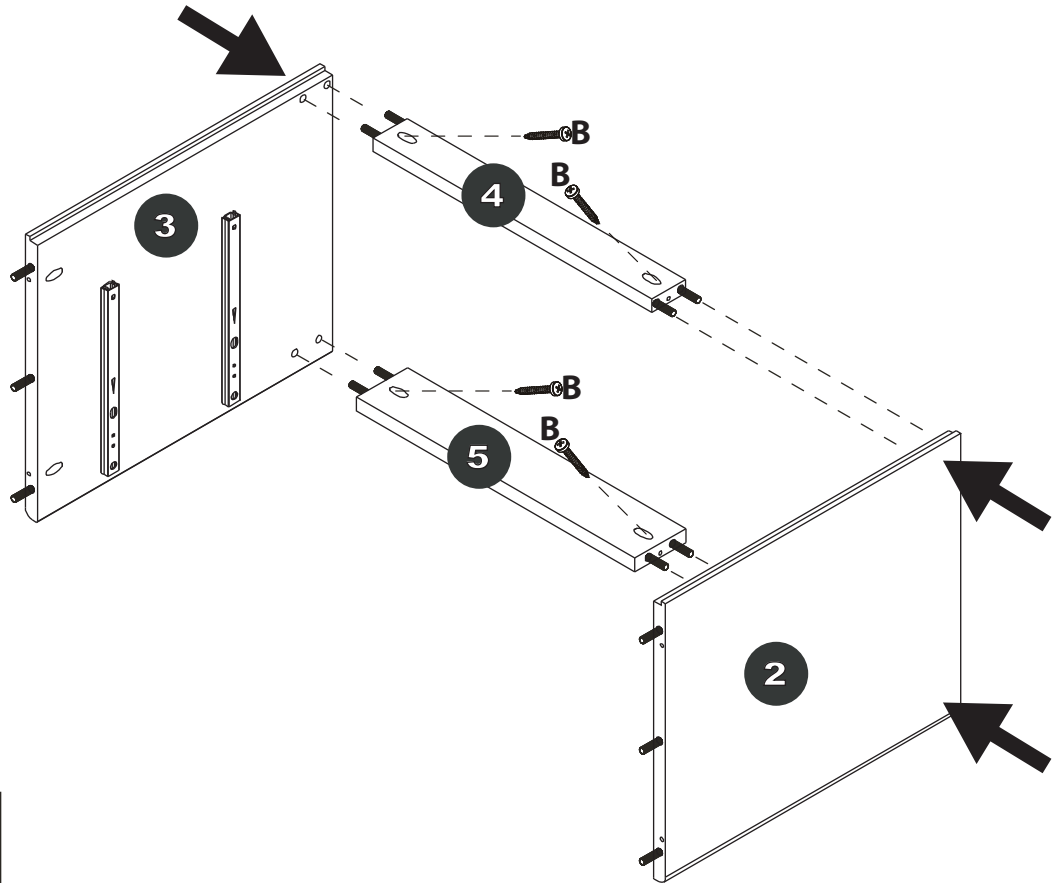
1



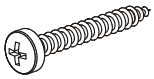
2



3

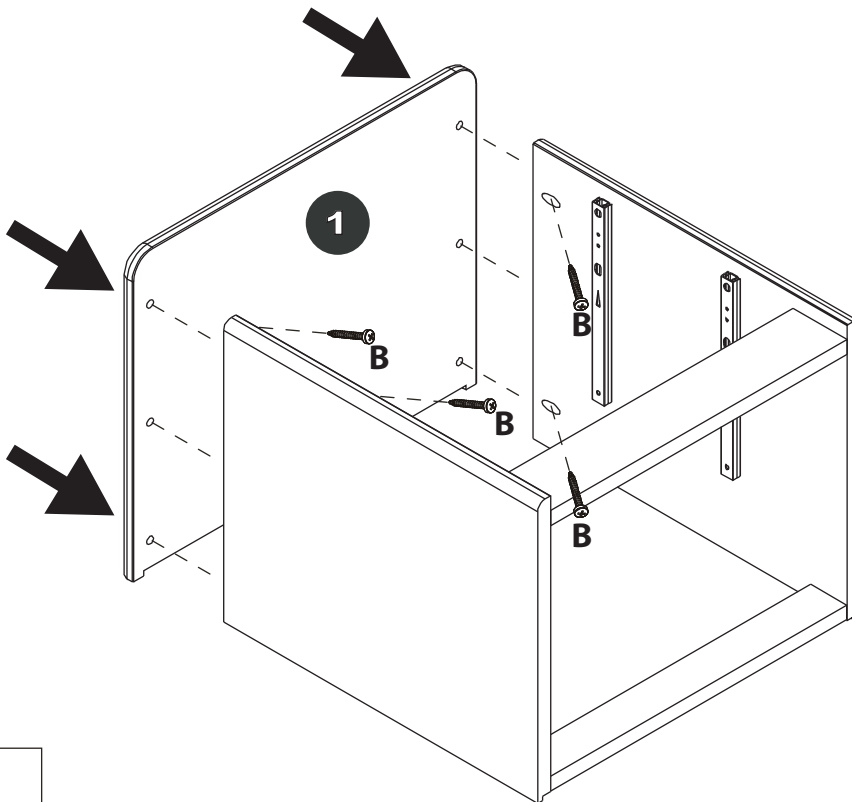


B x 04

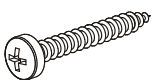


3,5 x 30mm

4

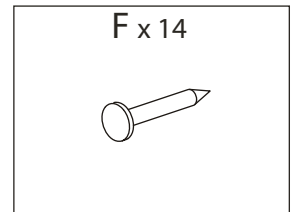
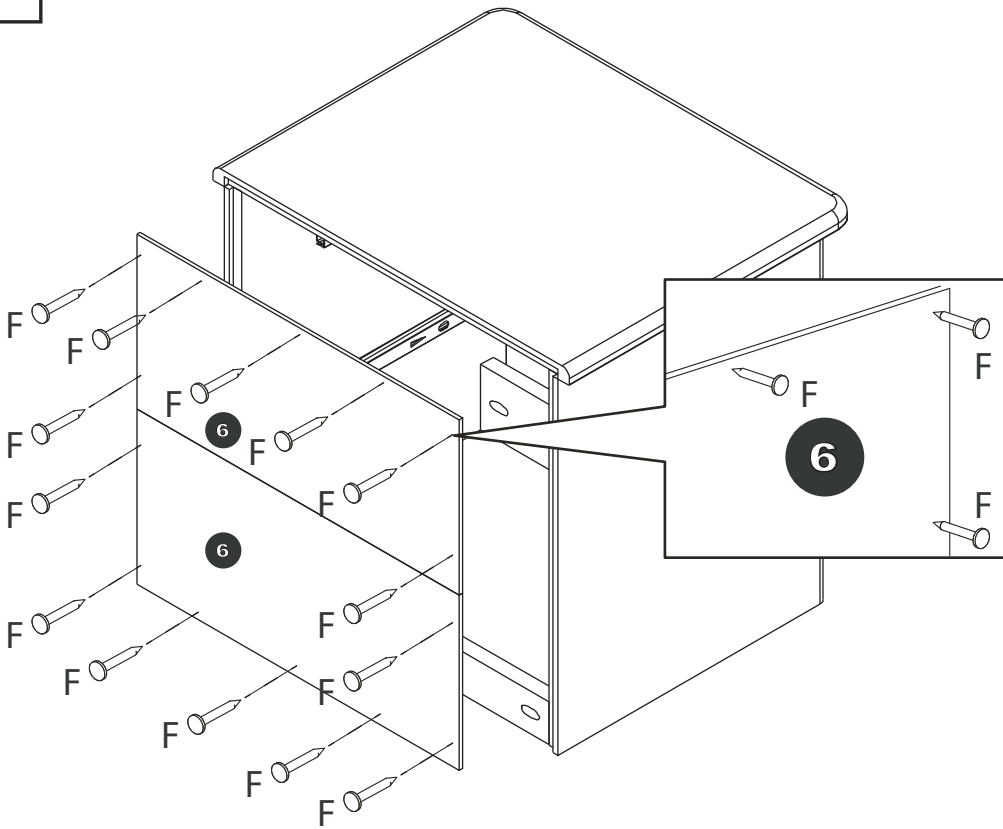


B x 04

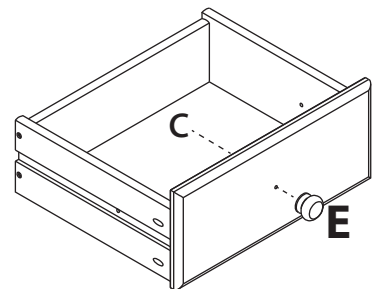
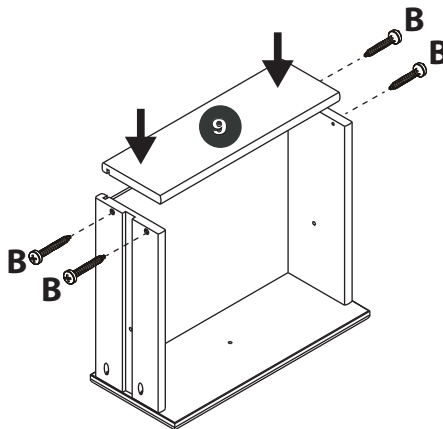
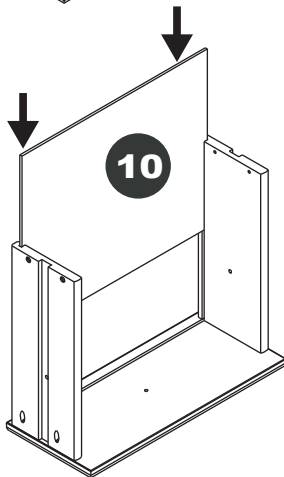
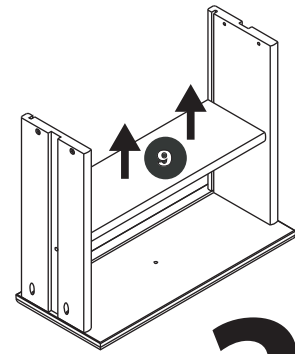
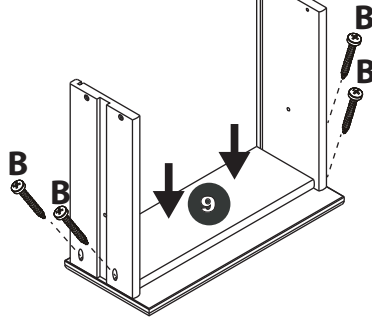
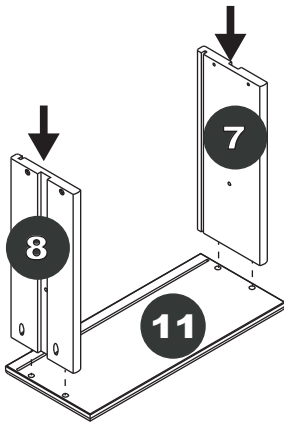


3,5 x 30mm

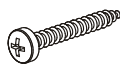
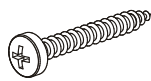

5



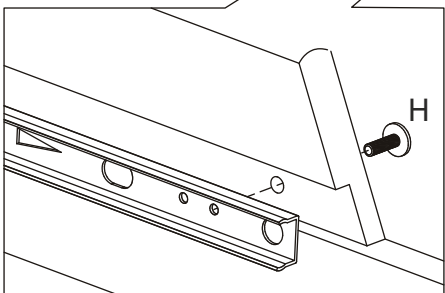
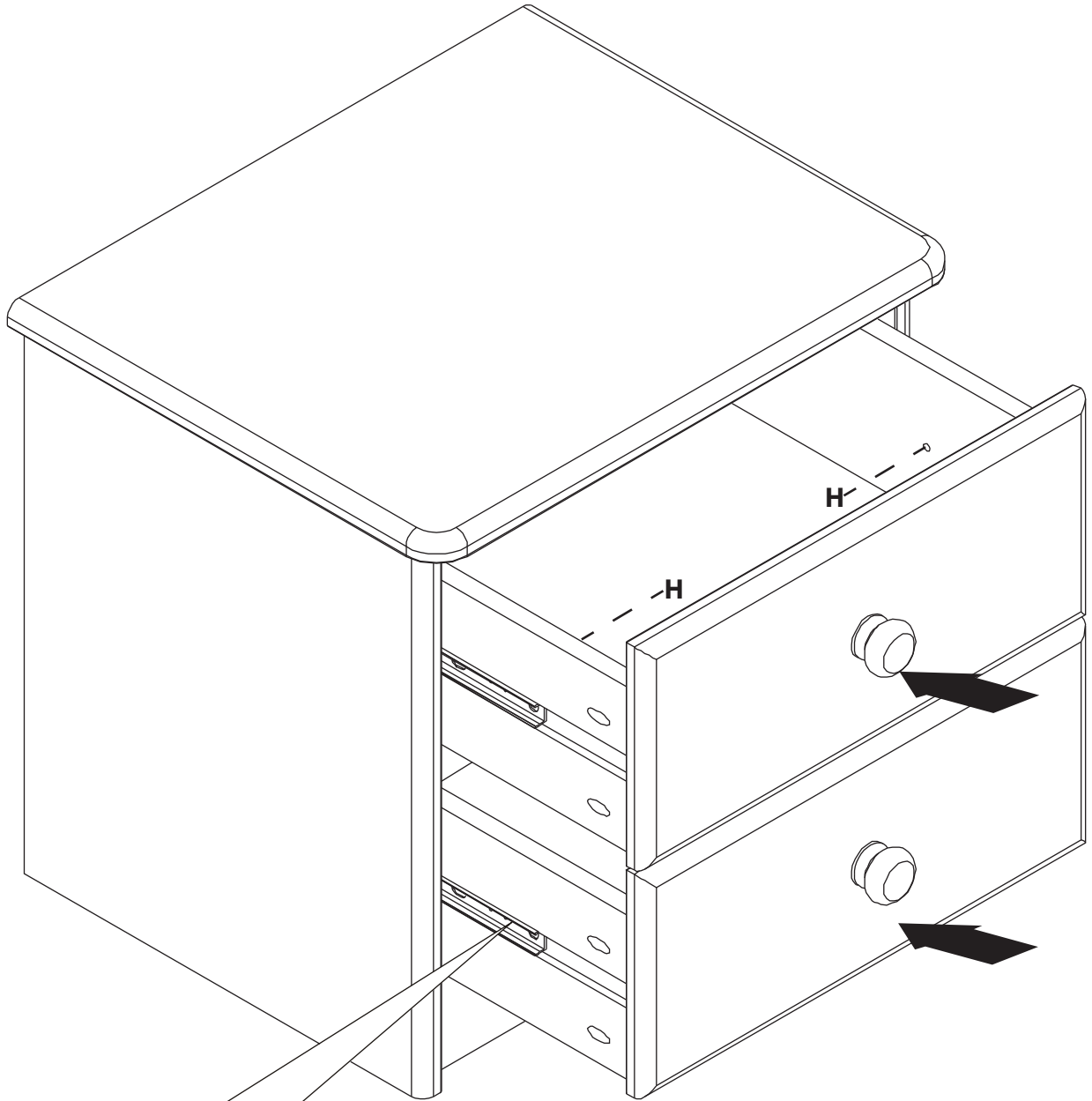
6




2X

<p>B x 16</p>  <p>3,5 x 30mm</p>	<p>C x 02</p>  <p>4,0 x 40mm</p>	<p>E x 02</p> 
----------------------------------------------------------------------------------------------------------------------	-----------------------------------------------------------------------------------------------------------------------	-----------------------------------------------------------------------------------------------------

7



H x 04



M4 x 10mm